

Burns and Ferrall Locations

AUCKLAND
 12 Reg Savory Place
 East Tamaki, Auckland

0800 697 465

WELLINGTON
 122-124 Tory Street
 Te Aro

HAMILTON
 60 Alexandra Street
 Central

CHRISTCHURCH
 345 St Asaph Street
 Christchurch

Product Specification Sheet
BFM695L



Designer 695 R15 Double Bowl

Models
 BDM695L

Overall Dimensions W x D
 695 x 440mm

Bowl Dimensions W x D x H
 400 x 400 x 200mm

2nd Bowl Dimensions W x D x H
 225 x 400 x 160mm

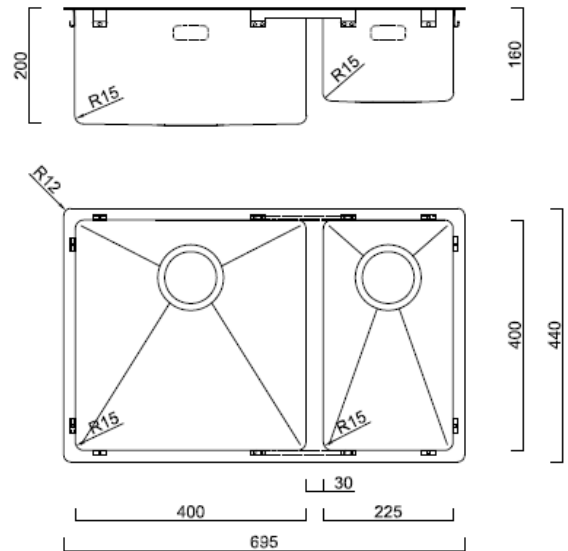
Material & Finish
 1.2mm 304 Stainless Steel, Satin

Corner Radius 15mm

Waste
 90mm + TWIN Designer Overflow

Installation
 Flush/Undermount/Topmount

Minimum Cabinet Size
 775mm



Accessories Available (optional)



E&OE – it is recommended all measurements are taken directly from the product. Specification subject to change without notice, always consult the literature supplied with the product. Coloured images are indicative only.